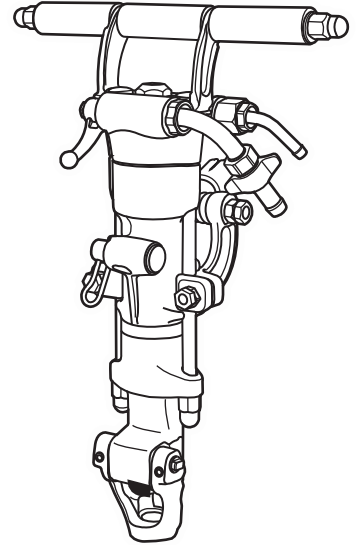


## Spare parts list Pusher leg rockdrills





# Contents

General information.....	5
Spare parts list.....	6
Accessories.....	9
Accessories.....	9
Optional equipment.....	9
Rock drill AIR-OIL.....	10
Kits.....	11
Machine attachment kit.....	11
Side bolt kit.....	12



## General information

This spare parts list applies to the following:

Part number	Description
8311 0303 45	Pusher leg rockdrill RH 656 W

Use only authorized parts. Any damage or malfunction caused by the use of unauthorized parts is not covered by Warranty or Product Liability. Any unauthorized use or copying of the contents or any part thereof is prohibited. This applies in particular to trademarks, model denominations, part numbers, and drawings.

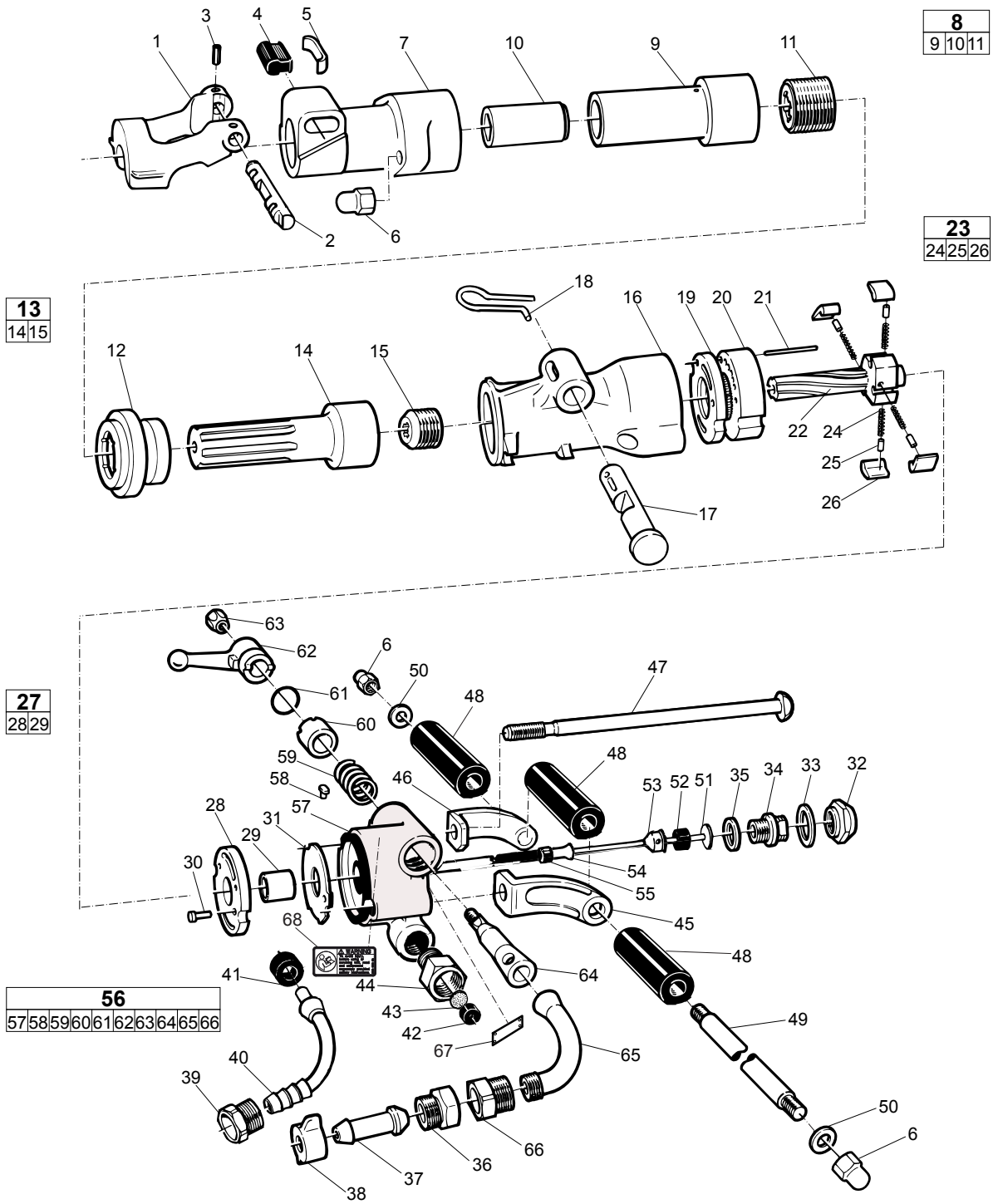
### Instructions for use

This spare parts list contains no safety regulations and is merely intended to assist in the ordering of spare parts.

For information about operating, servicing, or repairing, the relevant Safety and operating instructions must be consulted at all costs.

Please observe the safety instructions listed in the relevant Safety and operating instructions!

# Spare parts list



No.	Description	Remark	Quantity	Part number
1	Drill steel retainer	22 mm 7/8 in.	1	3121 0851 00
2	Retainer pin		1	3121 0852 00
3	Tension pin		2	0108 3392 00
4	Buffer		1	3121 0030 00
5	Buffer plate		1	3121 0029 00
6	Side bolt nut		4	3121 0292 00
7	Front head		1	3121 0342 00
<b>8(9-11)</b>	<b>Rotation chuck, complete</b>		1	3121 0769 80
9	Rotation chuck		1	-
10	Rotation chuck bushing	22 x 108 mm 7/8 in. x 4 1/4 in.	1	3121 0023 00
11	Chuck nut		1	3115 1221 00
12	Intermediate part		1	3121 0339 00
<b>13(14-15)</b>	<b>Piston, complete</b>		1	3100 8478 80
14	Piston		1	-
15	Rifle nut		1	3100 9299 05
16	Cylinder		1	3121 0337 00
17	Outlet valve		1	3115 1778 00
18	Throttle lever		1	3115 1779 00
19	Guide disc		1	3106 8683 00
20	Ratchet box		1	3106 8682 00
21	Guide pin		1	0108 1336 00
22	Rifle bar		1	3101 3154 00
<b>23(24-26)</b>	<b>Pawl, complete</b>		1	3115 9200 90
24	Pressure spring		4	3100 9140 02
25	Pawl pin		4	3100 9641 01
26	Pawl		4	3101 3159 00
<b>27(28-29)</b>	<b>Cover, complete</b>		1	3106 8680 80
28	Cover		1	-
29	Bushing		1	3100 9894 01
30	Guide pin		1	3100 9665 00
31	Main valve		1	3106 8681 00
32	Protecting nut		1	3100 9643 01
33	Seal washer		1	3101 4146 00
34	Adapter		1	3100 9623 01
35	Seal washer		1	3000 9341 02
36	Hexagon nipple		1	9000 0350 00
37	Hose nipple, air		1	9000 0325 00
38	Wing nut		1	9000 0338 00
39	Adapter		1	3100 9652 00
40	Hose nipple, water		1	3100 9654 00
41	Rubber packing		1	3100 9653 00
42	Packing		1	3121 0012 00
43	Strainer		1	3121 0011 00
44	Adapter		1	3121 0010 00
45	Handle bracket, left		1	3121 0344 00
46	Handle bracket, right		1	3121 0345 00
47	Side bolt		2	3121 0343 00
48	Handle grip		3	3101 1372 00
49	Stud		1	3121 0360 00
50	Washer		2	3000 0119 01
51	Water flushing tube		1	3121 0588 00
52	Rubber packing		1	3100 9646 00

No.	Description	Remark	Quantity	Part number
53	Guide ring		1	3121 0776 00
54	Air flushing tube		1	3115 0028 00
55	Rubber packing		1	3000 0121 00
<b>56(57-66)</b>	<b>Back head, complete</b>		1	3115 0568 80
57	Back head		1	-
58	Pin		1	3121 0329 00
59	Spring		1	3121 5000 51
60	Pawl washer		1	3121 0332 00
61	O-ring		1	0663 2128 00
62	Control lever		1	3115 0573 00
63	Conical nut		1	3006 8734 00
64	Throttle valve		1	3121 0331 00
65	Elbow		1	3101 1371 00
66	Adapter		1	3101 1370 00
67	Data plate		1	-
68	Safety label		1	3310 1602 00

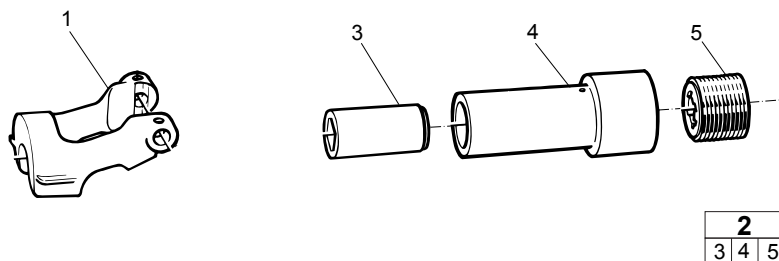


# Accessories

## Accessories

Description	Remark	Quantity	Part number
<b>Lubricator</b>			
BLG 30, European type	For mineral oil.	1	8202 5102 05
CLG 30, European type	For both mineral and synthetic oil.	1	8202 5102 39
<b>Water separator</b>			
VAM 01, European type	Airflow <50 l/s 106 cfm	1	8092 0110 58
VAM 5A, European type	Airflow <120 l/s 254 cfm	1	8092 0110 82
<b>Air line accessories</b>			
Rubber hose, pre-mounted	25 mm 1 in.	1	9030 2051 00
X-LITE flat hose, universal	25 mm 1 in.	1	9030 2111 00

## Optional equipment



No.	Description	Remark	Quantity	Part number
1	Drill steel retainer	H25	1	3121 0888 00
<b>2(3-5)</b>	<b>Rotation chuck, complete</b>		1	3121 0769 83
3	Rotation chuck bushing	25 x 108 mm 1 in. x 4¼ in.	1	3115 1748 00
4	Rotation chuck		1	-
5	Chuck nut		1	3115 1221 00

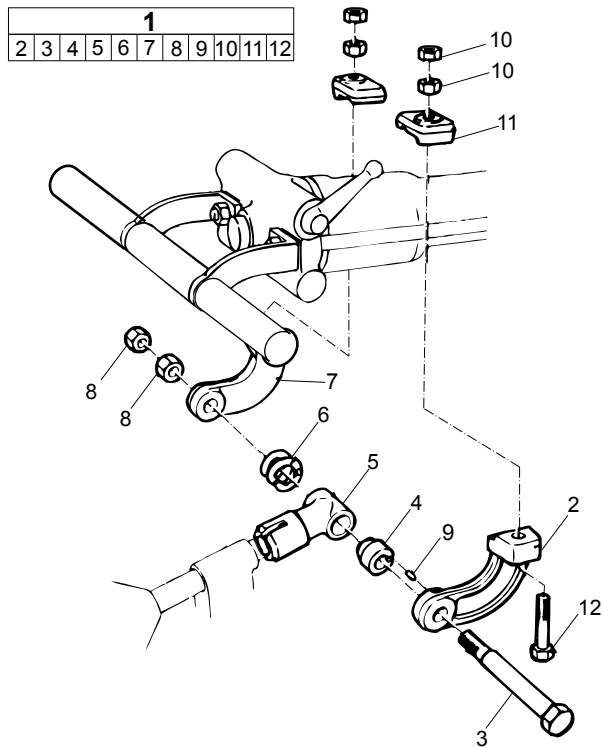
## Rock drill AIR-OIL

Description	Remark	Quantity	Part number
Rock drill AIR-OIL	1 l (0.22 gallon)	1	8099 0201 01
Rock drill AIR-OIL	1 l (0.22 gallon)	12	8099 0201 81
Rock drill AIR-OIL	4 l (0.88 gallon)	1	8099 0201 04
Rock drill AIR-OIL	4 l (0.88 gallon)	4	8099 0201 84
Rock drill AIR-OIL	10 l (2.2 gallon)	1	8099 0201 10
Rock drill AIR-OIL	208 l Drum (46 gallon)	1	8099 0201 28

# Kits

## Machine attachment kit

For pusher legs BMK 91 RS and BMK 62 S



No.	Description	Remark	Quantity	Part number
1(2-12)	<b>Machine attachment kit</b>		1	3001 3676 81
2	Machine attachment		1	3001 3676 01
3	Bolt		1	3001 3684 01
4	Washer		1	3001 3685 00
5	Feed mount		1	3001 3597 01
6	Spring		1	3000 9140 21
7	Machine holder		1	3001 3677 01
8	Nut		2	3000 1349 02
9	Pin		1	3000 5114 07
10	Nut		4	3000 1345 00
11	Clamp		2	3101 3680 01
12	Bolt		2	3106 9777 00

## Side bolt kit

Description	Remark	Quantity	Part number
Side bolt kit		1	3121 5000 32
Dome nut		2	3121 0292 00
Side bolt		2	3121 0343 00







Any unauthorized use or copying of the contents or any part thereof is prohibited.  
This applies in particular to trademarks, model denominations, part numbers, and  
drawings.

© 2010 Atlas Copco Construction Tools AB | No. 9800 0690 01a | 2010-05-10

**Atlas Copco**

[www.atlascopco.com](http://www.atlascopco.com)